



# COMPACT TERMO



**U<sub>d</sub> VALUE**  
(W/m<sup>2</sup> \* K)



**MAXIMUM  
LOAD**



**SEAL**



**PROTECTIVE  
FEET**



**YEARS  
GUARANTEE**



The mark of  
responsible forestry



COMPLIANCE WITH  
THE STANDARD

**OMAN**

CLASSIC

EI

MINI

FLEX

SOLID

LONG

# COMPACT TERMO

# 26 mm

The COMPACT TERMO loft ladders are characterized by single sealing and hatch thickness 26mm. The COMPACT TERMO model is ideally suited to install where the attic is insulated and does not require additional thermal insulation. The COMPACT TERMO model thanks to its small dimensions, is perfect for installation in narrow and small corridors. The small size of the stairs was achieved thanks to the use of a unique 4-section wooden ladder.

The loft ladders have anti skidding feet, they adheres perfectly to the ground, prevent scratching of the floor and provide an aesthetic finish for the ladder after cutting. The excellent quality of materials used for the production of loft ladders and attention to every detail of finish cause that the stairs will satisfy even the most demanding customers. Their maximum load during use is up to 160 kg.

## Technical specification

INSULATED HATCH THICKNESS	26 mm
THICKNESS OF THERMAL INSULATION	20 mm
HATCH COLOUR FROM BOTH SIDES	WHITE
WOODEN LADDER	4 SECTION
HEIGHT OF WOODEN BOX	135 mm
WIDTH OF LADDER	400 mm
WIDTH OF STEP	358 mm
DEPTH OF STEP	80 mm
LANDING SPACE	146 cm
OPENING DISTANCE/ANGLE	135 cm
MAXIMUM CEILING HEIGHT	280 cm

### BOX DIMENSIONS [cm]

OUTER BOX DIMENSIONS, MOUNTING OPENING 2 CM LARGER

Width - B	Length - A				
	110	113	120	130	140
55	✓				
60	✓				
70	✓				

### Non-Standard dimensions

Min - Max Length	100 - 110 cm
Min - Max Width	54 - 85 cm

\*Unusual dimensions available in full size of untypical stairs can not exceed 1 m<sup>2</sup>

## Accessories



MASKING BATTEN

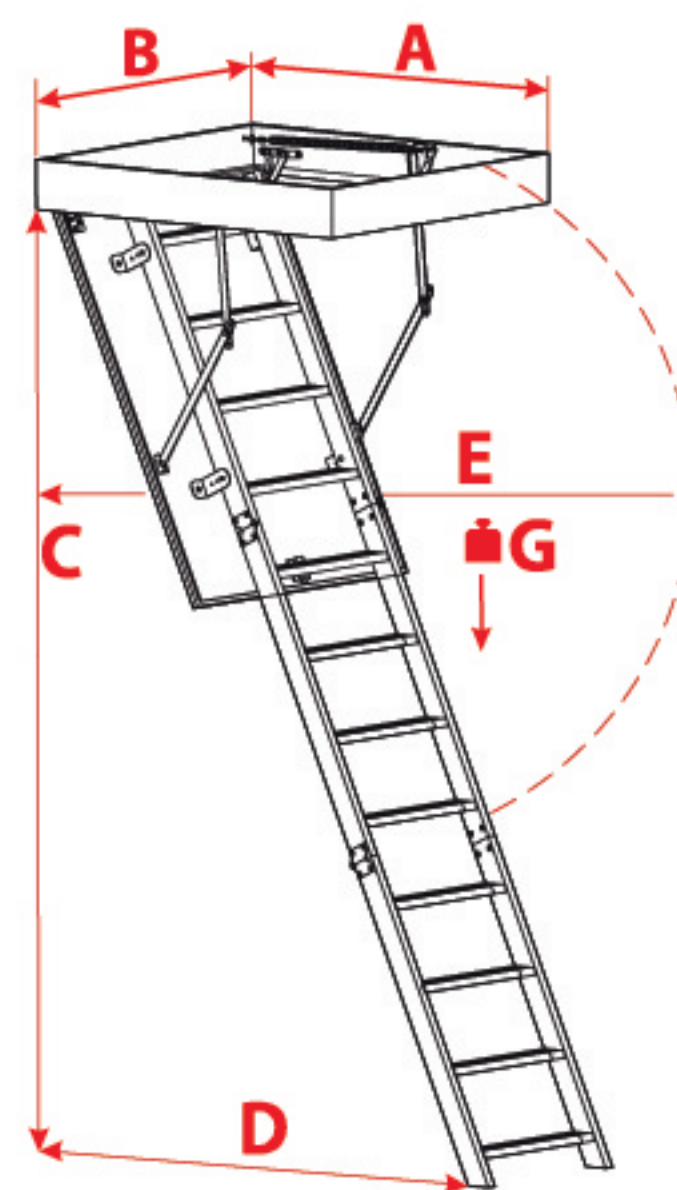


MOUNTING SYSTEM



HATCH BALUSTRADE

## Technical draw



C	280 cm
D	146 cm
E	135 cm
G	160 kg