



EI45 POLAR

0,43

U_d VALUE
(W/m² * K)



MAXIMUM
LOAD



PROTECTIVE
FEET



SEALS



ADDITIONAL
STEP



FIRE RESISTANT
SEAL



HANDRAIL

4 CLASS
AIR
TIGHT
NESS



YEARS
GUARANTEE



The mark of
responsible forestry



COMPLIANCE WITH
THE STANDARD

CLASSIC

EI

MINI

FLEX

SOLID

LONG

EI45 POLAR

86 mm

The EI45 POLAR loft ladders are characterized by triple sealing, including a single fire sealing and hatch thickness 86mm. The EI45 POLAR loft ladder have the EI45 fire resistance class. The EI45 model is ideally suited for installation in rooms particularly exposed to fire outbreak. Their fire safety properties allows an effective isolation of the room, in which the fire occurred, from the attic. This prevents further spread of fire. The EI45 POLAR loft ladder are characterized by the best heat transfer coefficient on the market $U=0,43$ and the highest airtightness class 4. Due to their excellent parameters, EI45 POLAR loft ladders are ideal for installation in places where are large temperature differences. The choice of EI45 POLAR is an investment that allows to reduce losses of heated air, improves the level of thermal insulation and significantly reduces heating costs. The loft ladders have anti skidding feet, they adheres perfectly to the ground, prevent from scratching of the floor and provide and aesthetic finish for the ladder after cutting. For increased safety and convenience, the handrail can be installed on the left or right side - depending on the customer preferences. The excellent quality of materials used for the production of loft ladders and attention to every detail of finish cause that the stairs will satisfy even the most demanding customers. Their maximum load during use is up to 160 kg. Choosing the best insulated loft ladder on the market, you really contribute to the fight for a better climate.

Technical specification

INSULATED HATCH THICKNESS	86 mm
THICKNESS OF THERMAL INSULATION	80 mm
HATCH COLOUR FROM BOTH SIDES	WHITE
WOODEN LADDER	3 SECTIONS
HEIGHT OF WOODEN BOX	170 mm
WIDTH OF LADDER	400 mm
WIDTH OF STEP	358 mm
DEPTH OF STEP	80 mm
LANDING SPACE	147 cm
OPENING DISTANCE/ANGLE	169 cm
MAXIMUM CEILING HEIGHT	280 cm

BOX DIMENSIONS [cm]

OUTER BOX DIMENSIONS, MOUNTING OPENING 2 CM LARGER

Width - B	Length - A				
	110	113	120	130	140
55					
60			✓	✓	
70			✓	✓	

Non-Standard dimensions

Min - Max Length	At request
Min - Max Width	At request

*Unusual dimensions available in full size of untypical stairs can not exceed 1 m²

Accessories



MASKING BATTEN

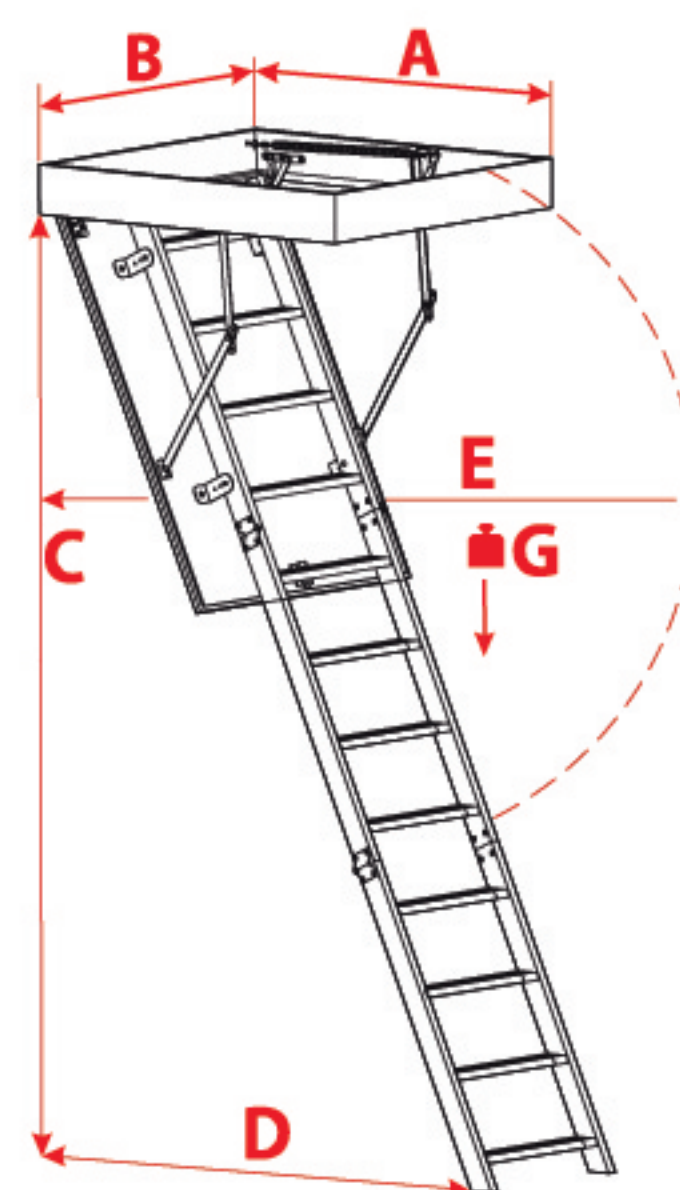


MOUNTING SYSTEM



HATCH BALUSTRADE

Technical draw



C	280 cm
D	147 cm
E	169 cm
G	160 kg