



LONG FLEX TERMO



U_d VALUE
(W/m² * K)



**MAXIMUM
LOAD**



SEAL



STEPS FLEX



**YEARS
GUARANTEE**



The mark of
responsible forestry



COMPLIANCE WITH
THE STANDARD

OMAN®

CLASSIC

EI

MINI

FLEX

SOLID

LONG

LONG FLEX TERMO

26 mm

The LONG FLEX TERMO loft ladder has got single sealing and hatch thickness 26mm. The LONG FLEX TERMO model is ideal for environment where the attic is well insulated and does not require additional thermal insulation. LONG FLEX TERMO stair model, thanks to the solid metal extendable "scissor" ladder, is perfect for indoor installation up to 310 cm in height.. The excellent quality of materials used for the production of stairs and attention to every details of finish cause that the stairs will satisfy even the most demanding customers . The maximum load when using stairs is up to 160 kg.

Technical specification

INSULATED HATCH THICKNESS	26 mm
THICKNESS OF THERMAL INSULATION	20 mm
HATCH COLOUR FROM BOTH SIDES	WHITE
FLEX LADDER	11 STEPS
HEIGHT OF WOODEN BOX	135 mm
WIDTH OF LADDER	390 mm
WIDTH OF STEP	345 mm
DEPTH OF STEP	80 mm
LANDING SPACE	205/220 cm
OPENING DISTANCE/ANGLE	245/250/265 cm
MAXIMUM CEILING HEIGHT	310 cm

BOX DIMENSIONS [cm]

OUTER BOX DIMENSIONS, MOUNTING OPENING 2 CM LARGER

Width - B	Length - A						
	70	80	90	100	110	120	130
60		✓	✓	✓	✓	✓	✓
70		✓	✓	✓	✓	✓	✓
D		220 cm			205 cm		
E		265 cm		245 cm		250 cm	

Non-Standard dimensions

Min - Max Length	80 - 130 cm
Min - Max Width	60 - 75 cm

*Unusual dimensions available in full size of untypical stairs can not exceed 1 m²

Accessories



MASKING BATTEN

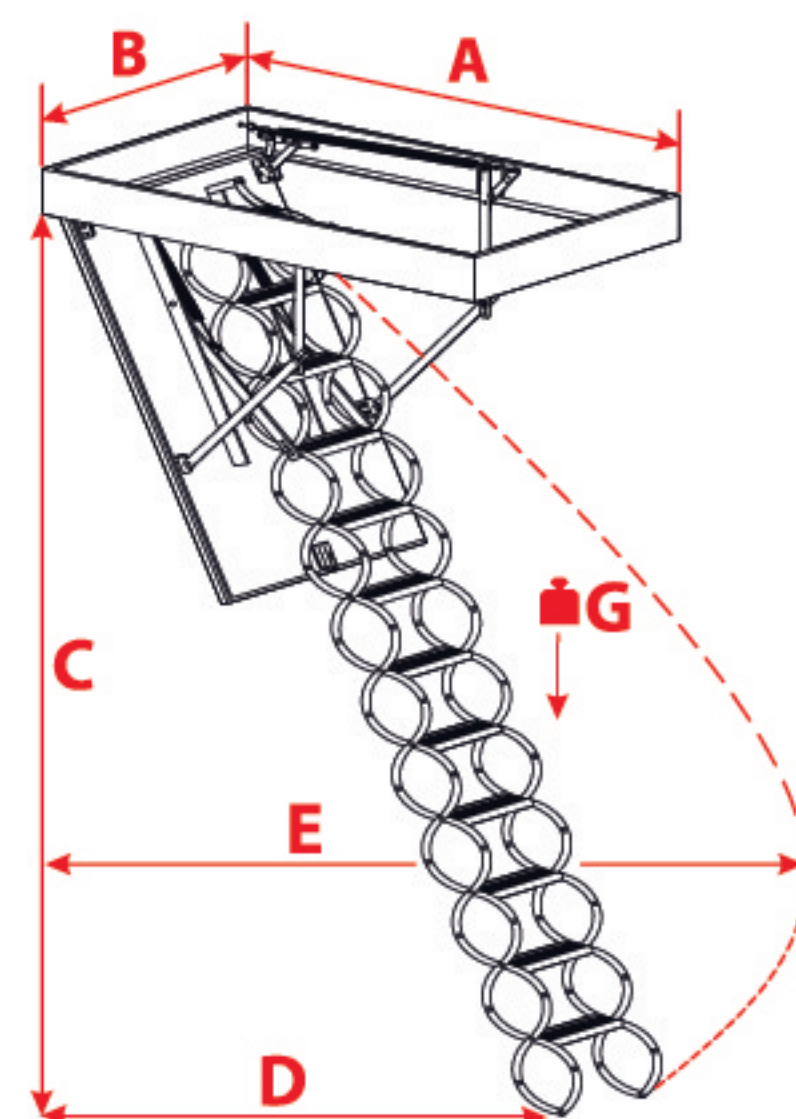


MOUNTING SYSTEM



HATCH BALUSTRADE

Technical draw



C	310 cm
G	160 kg