



LONG TERMO PS



U_d VALUE
(W/m² * K)



MAXIMUM
LOAD



PROTECTIVE
FEET



SEAL



HANDRAIL



YEARS
GUARANTEE



The mark of
responsible forestry



COMPLIANCE WITH
THE STANDARD

OMAN[®]

CLASSIC

EI

MINI

FLEX

SOLID

LONG

LONG TERMO PS

26 mm

The LONG TERMO PS loft ladder has got single sealing and hatch thickness 26mm. The LONG TERMO PS model is ideal for environment where the attic is insulated and does not require additional thermal insulation. LONG loft ladder model is equipped with 4 - section ladder, due to it is ideal for montage in high rooms up to 330cm. Our non-slip feet included in LONG TERMO PS loft ladder provide an aesthetic finish for the ladder after cutting. The excellent quality of materials used for the production of stairs and attention to every details of finish cause that the stairs will satisfy even the most demanding customers. To increase security and for comfortable use our LONG TERMO PS ladder is also equipped with stable and durable handrail. In the interest of user convenience, the handrail has been designed in such a way that it can be mounted on the left or right side depending on customer preferences. The excellent quality of materials used for the production of stairs and attention to every details of finish cause that the stairs will satisfy even the most demanding customers . The maximum load when using stairs is up to 160 kg.

Technical specification

INSULATED HATCH THICKNESS	26 mm
THICKNESS OF THERMAL INSULATION	20 mm
HATCH COLOUR FROM BOTH SIDES	WHITE
WOODEN LADDER	4 SECTIONS
HEIGHT OF WOODEN BOX	135 mm
WIDTH OF LADDER	400 mm
WIDTH OF STEP	358 mm
DEPTH OF STEP	80 mm
LANDING SPACE	172 cm
OPENING DISTANCE/ANGLE	168 cm
MAXIMUM CEILING HEIGHT	330 cm

BOX DIMENSIONS [cm]

OUTER BOX DIMENSIONS, MOUNTING OPENING 2 CM LARGER

Width - B	Length - A				
	110	113	120	130	140
55	✓		✓	✓	✓
60	✓		✓	✓	✓
70	✓		✓	✓	✓

Non-Standard dimensions

Min - Max Length	120 - 140 cm
Min - Max Width	54 - 85 cm

*Unusual dimensions available in full size of untypical stairs can not exceed 1 m²

Accessories



MASKING BATTEN

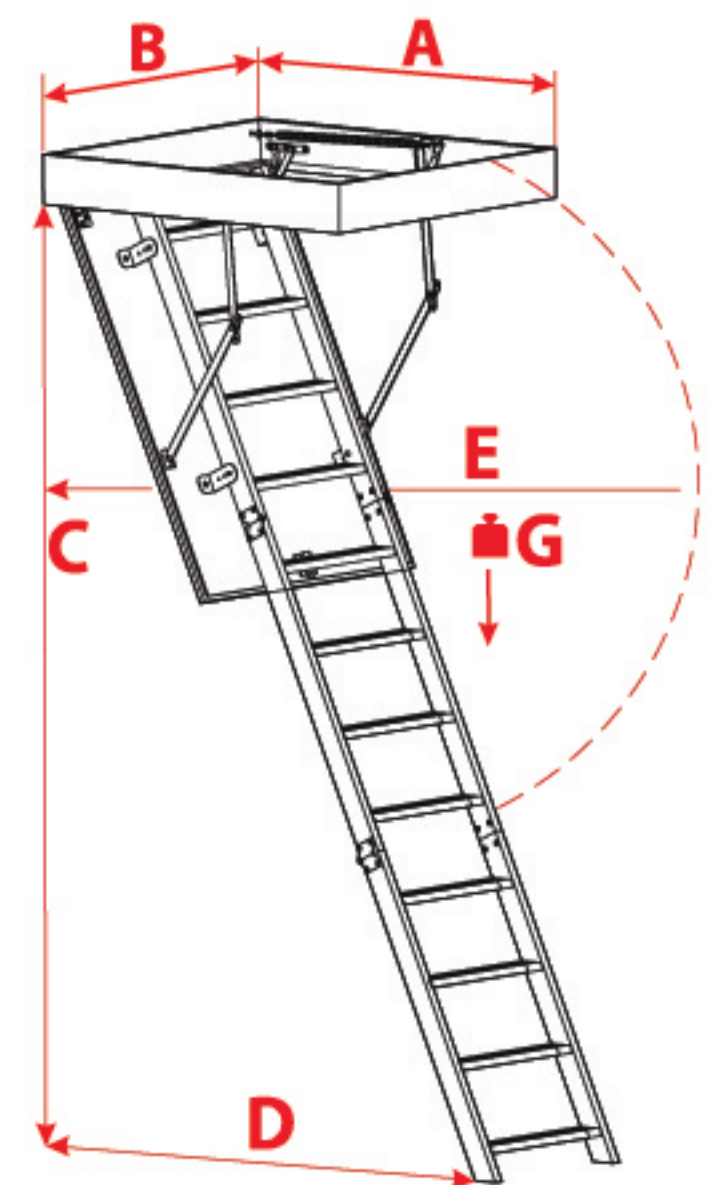


MOUNTING SYSTEM



HATCH BALUSTRADE

Technical draw



C	330 cm
D	172 cm
E	168 cm
G	160 kg