



# POLAR PLUS

0,36

**U<sub>d</sub> VALUE**  
(W/m<sup>2</sup> \* K)



MAXIMUM LOAD



SEALS



TWO-POINT LOCK



PROTECTIVE FEET



MASKING BATTEN  
IN SET



ADDITIONAL  
STEP



TELESCOPIC  
HANDRAILS



YEARS  
GUARANTEE



The mark of  
responsible forestry



COMPLIANCE WITH  
THE STANDARD

**OMAN**<sup>®</sup>

Energy – efficient POLAR PLUS loft ladders are characterized by the best insulated hatch Ud value on the market 0,36 W/m<sup>2</sup>\*K and the highest 4 class of airtightness. Due to their excellent parameters, POLAR PLUS loft ladders are ideal for installation in places where are large temperature differences. The choice of POLAR PLUS is an investment that allows you to reduce losses of heated air, improve the level of thermal insulation and significantly reduce heating costs. They are perfect in all terms and conditions, at the same time contributing to reducing the heating costs. The POLAR PLUS stairs have been equipped with the Zero Gravity handrail system – greatly facilitating entry into the attic, solid two-point metal zip and triple sealing. Of course, the best features of POLAR products were not lacking, such as a solid and insulated hatch with a thickness of 86 mm. The two-point lock guarantees a tight and reliable closing of the hatch and thanks to two long handrails the entry on the ladder is very convenient. In addition, the handrails are located on both sides, which significantly improves safety. The excellent quality of materials used for the production of loft ladders and attention to every detail of finish cause that the stairs will satisfy even the most demanding customers. Their maximum load during use is up to 160 kg. Choosing the best insulated loft ladder on the market, you will reduce heating costs and you contribute to the fight for a better climate.

## Technical specification

INSULATED HATCH THICKNESS	86 mm
THICKNESS OF THERMAL INSULATION	80 mm
HATCH COLOUR FROM BOTH SIDES	WHITE
METAL-WOODEN LADDER	3 SECTIONS
HEIGHT OF WOODEN BOX	170 mm
WIDTH OF LADDER	400 mm
WIDTH OF STEP	358 mm
DEPTH OF STEP	80 mm
LANDING SPACE	147 cm
OPENING DISTANCE/ANGLE	169 cm
MAXIMUM CEILING HEIGHT	280 cm

### BOX DIMENSIONS [cm]

OUTER BOX DIMENSIONS, MOUNTING OPENING 2 CM LARGER

Width - B	Length - A				
	110	113	120	130	140
55					
60			✓		
70			✓		

### Non-Standard dimensions

Min - Max Length	On request
Min - Max Width	On request

\*Unusual dimensions available in full size of untypical stairs can not exceed 1 m<sup>2</sup>

## Accessories

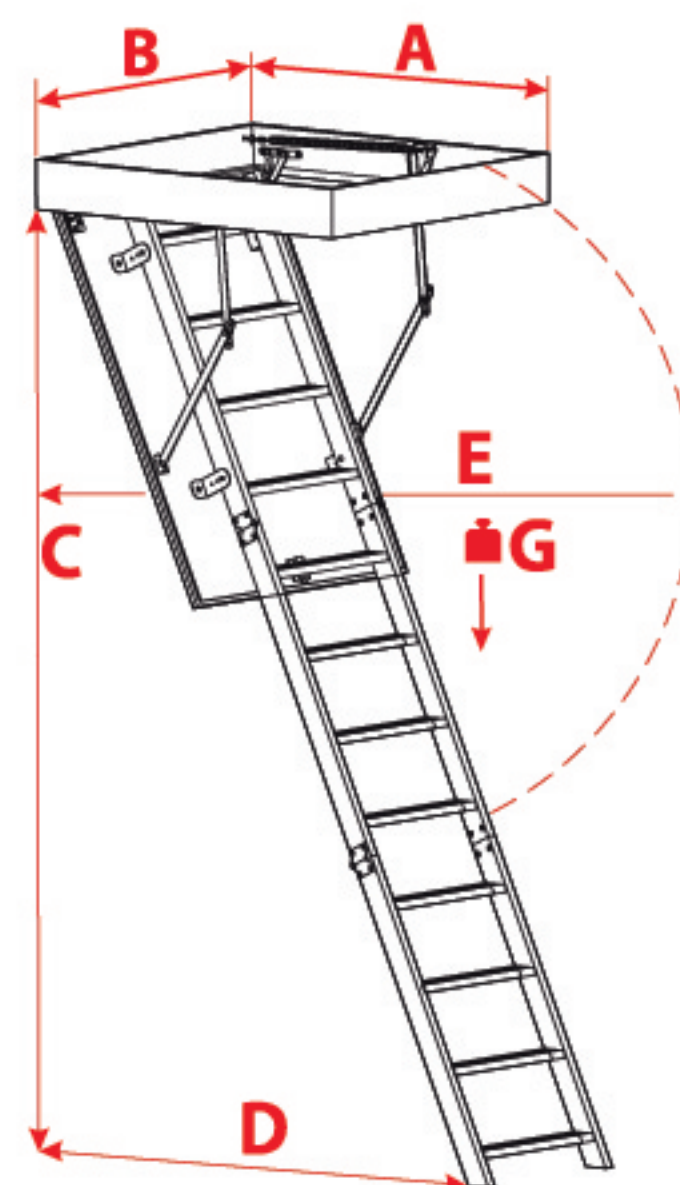


MOUNTING SYSTEM



HATCH BALUSTRADE

## Technical draw



C	280 cm
D	147 cm
E	169 cm
G	160 kg