



SOLID POLAR

0,36

U_d VALUE
(W/m² * K)



**MAXIMUM
LOAD**



**PROTECTIVE
FEET**



SEALS



HANDRAIL



**ADDITIONAL
STEP**



**YEARS
GUARANTEE**

4 CLASS
AIR
TIGHT
NESS



The mark of
responsible forestry



COMPLIANCE WITH
THE STANDARD

OMAN[®]

CLASSIC

EI

MINI

FLEX

SOLID

LONG

SOLID POLAR

86 mm

The **SOLID POLAR** loft ladder has got double sealing and hatch thickness 86mm, thanks to which they are perfect in all conditions, at the same time contributing to a significant reduction in costs associated with heating the house or apartment. **POLAR** stairs are characterized by the best heat transfer coefficient on the market $U = 0.36$ and the highest tightness class 4. Due to their excellent parameters, **POLAR** stairs are ideal for installation in places where are large temperature differences. By choosing **SOLID POLAR** stairs is an investment that allows you to reduce losses of heated air, improve the level of thermal insulation and significantly reduce heating costs. This ladder is equipped with durable **SOLID** metal ladder, thanks to it the maximum load when using stairs is up to 210 kg. Our non-slip feet included in **SOLID POLAR** loft ladder provide an aesthetic finish for the ladder after cutting. The excellent quality of materials used for the production of stairs and attention to every details of finish cause that the stairs will satisfy even the most demanding customers. To increase security and for comfortable use our **SOLID POLAR** loft ladder is also equipped with stable and durable handrail. In the interest of user convenience, the handrail has been designed in such a way that it can be mounted on the left or right side depending on customer preferences. The excellent quality of materials used for the production of stairs and attention to every details of finish cause that the stairs will satisfy even the most demanding customers. By choosing the best insulated attic stairs on the market you reduce the costs associated with heating, and you can really contribute to the fight for a better climate.

Technical specification

INSULATED HATCH THICKNESS	86 mm
THICKNESS OF THERMAL INSULATION	80 mm
HATCH COLOUR FROM BOTH SIDES	WHITE
METAL LADDER	3 SECTIONS
HEIGHT OF WOODEN BOX	170 mm
WIDTH OF LADDER	400 mm
WIDTH OF STEP	361 mm
DEPTH OF STEP	113 mm
LANDING SPACE	139/147 cm
OPENING DISTANCE/ANGLE	165/169 cm
MAXIMUM CEILING HEIGHT	280 cm

BOX DIMENSIONS [cm]

OUTER BOX DIMENSIONS, MOUNTING OPENING 2 CM LARGER

Width - B	Length - A				
	110	113	120	130	140
55		✓*	✓*	✓*	✓*
60		✓	✓	✓	✓
70		✓	✓	✓	✓

*Mounting a handrail is unavailable

Non-Standard dimensions

Min - Max Length	113 - 140 cm
Min - Max Width	50 - 80 cm

*Unusual dimensions available in full size of untypical stairs can not exceed 1 m²

Accessories



MASKING BATTEN

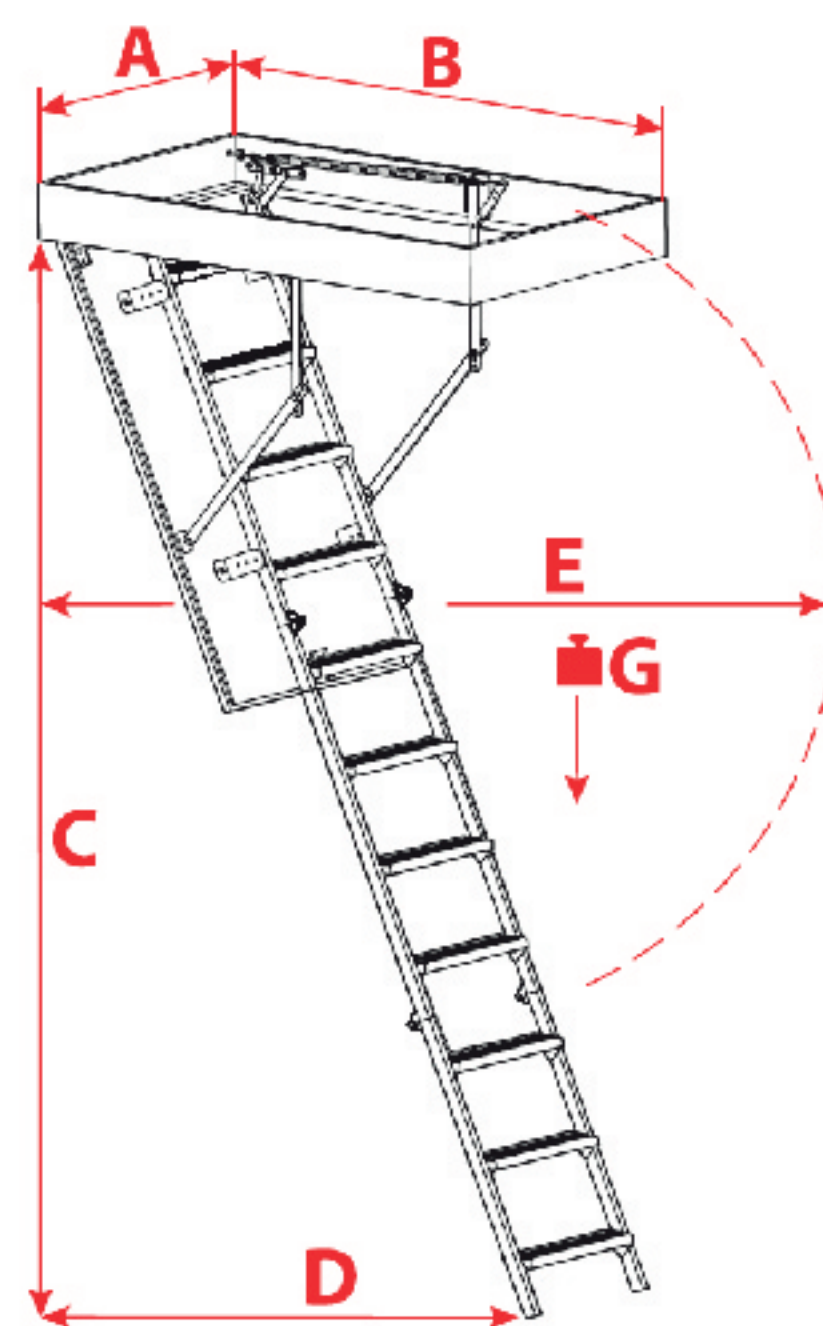


MOUNTING SYSTEM



HATCH BALUSTRADE

Technical draw



> 113	< 113
C 280 cm	C 280 cm
D 147 cm	D 139 cm
E 169 cm	E 165 cm
G 210 kg	G 210 kg